



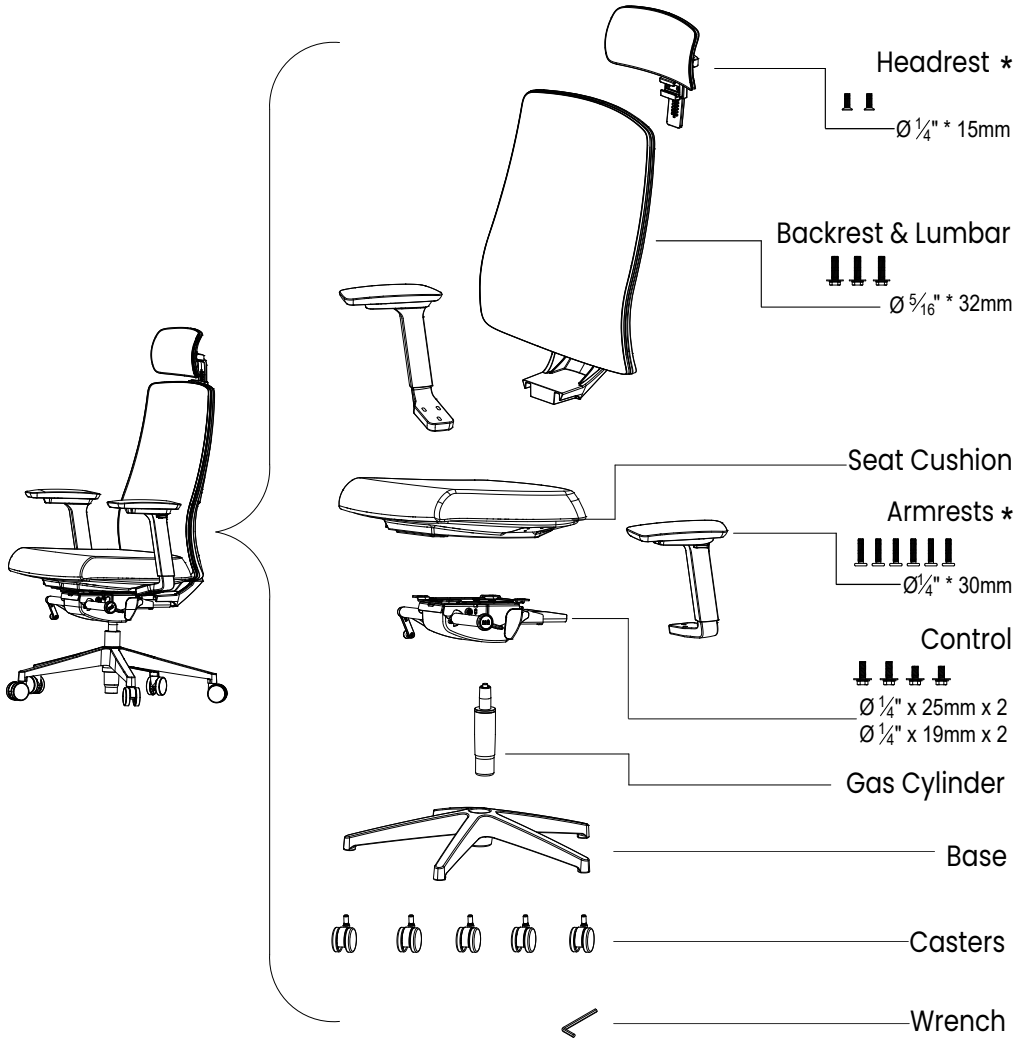
Ergonomic Home Office Chair

User's manual - Manuel d'utilisation- Gebruikershandleiding
Benutzerhandbuch - Manuale dell'utente - Manual de usuario
Руководство пользователя - Użytkownik Manual



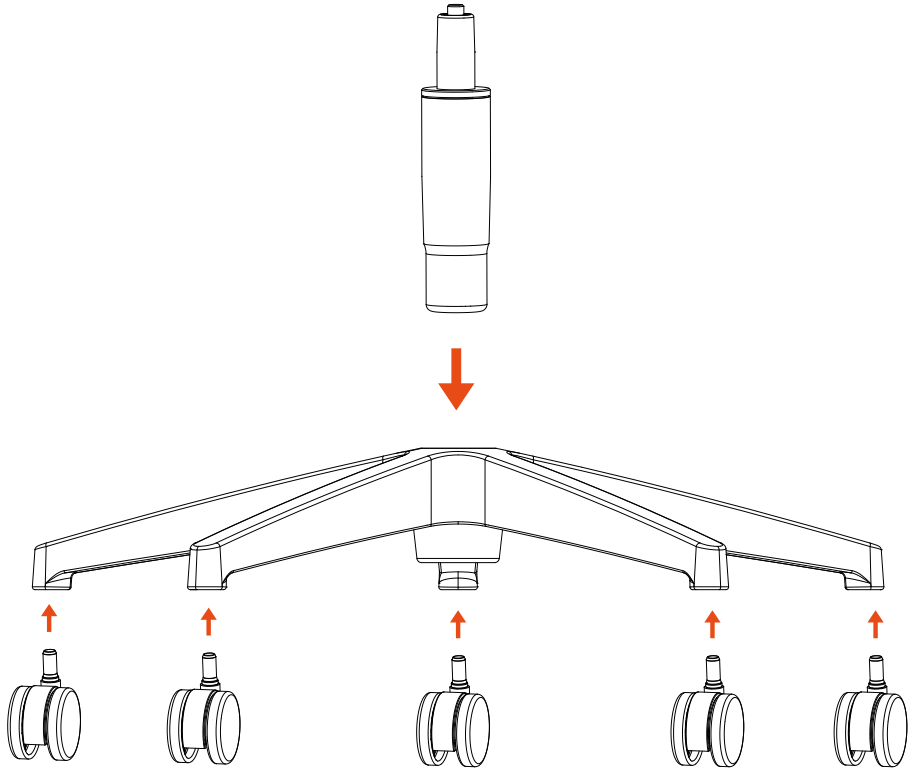
ASSEMBLY INSTRUCTIONS

Thank you for purchasing this quality product. Be sure to check all packing materials for small parts which have not been assembled on the chair. Identify and count all parts and compare with the diagram below.



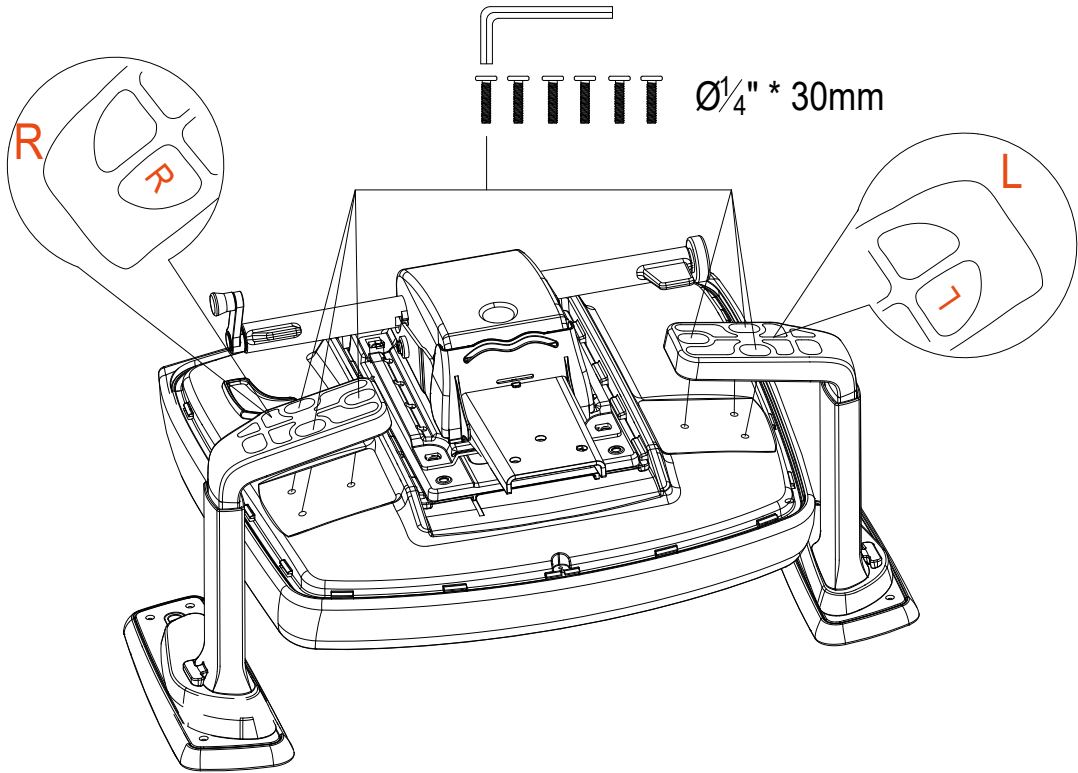
* Optional features (may not be included in your chair)

STEP 1

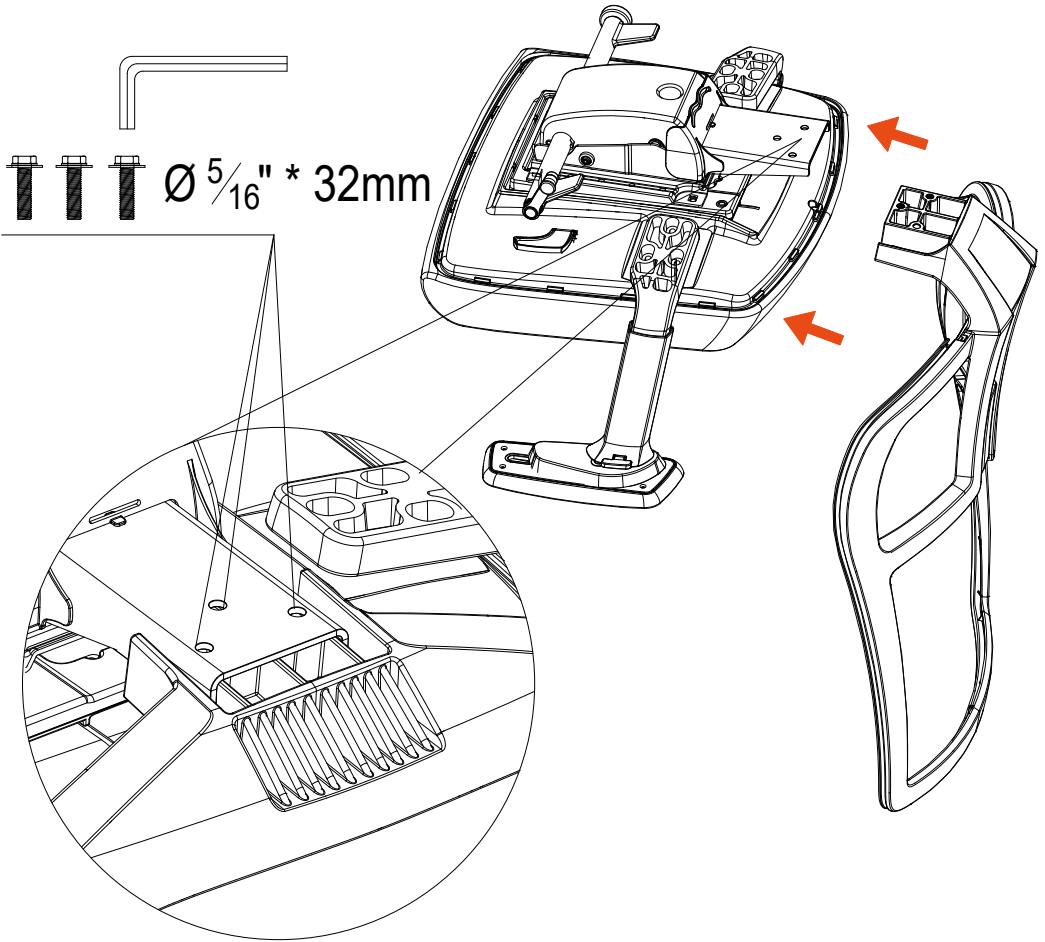


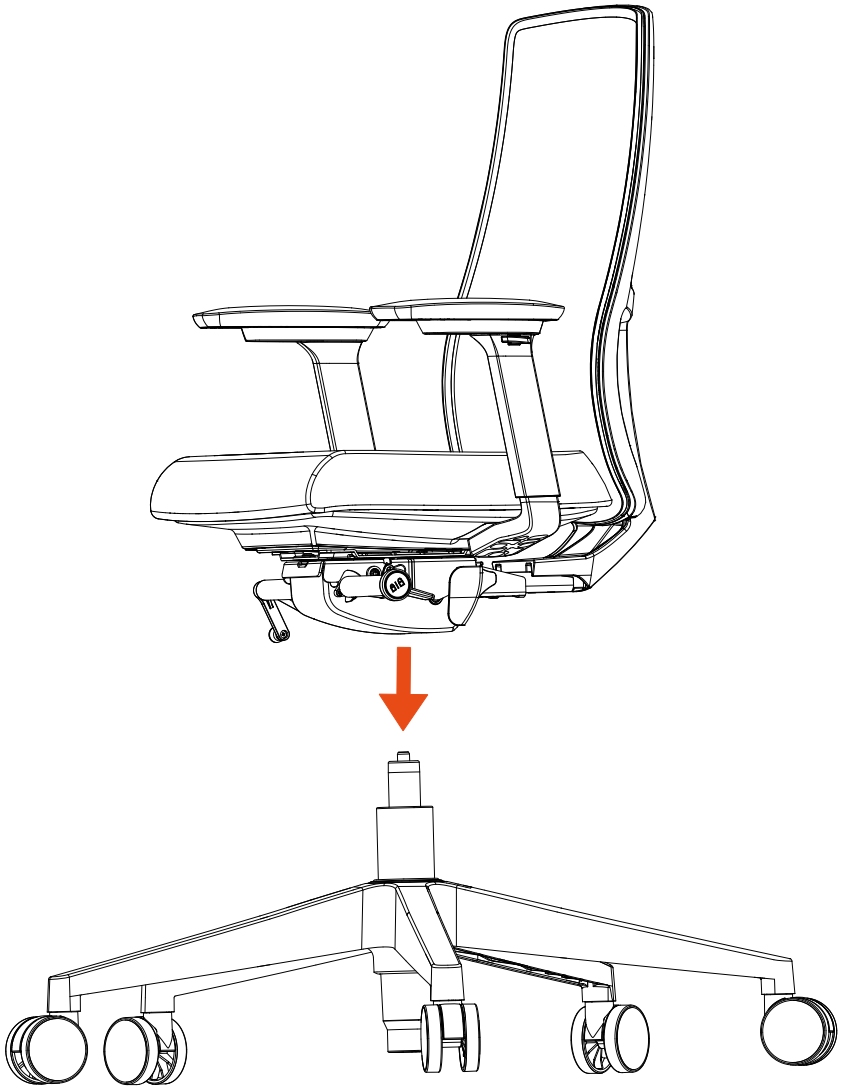
STEP 2

Attach the arms to the bottom of the seat as shown. Refer to the underside of each arm to confirm L for left side and R for right side.



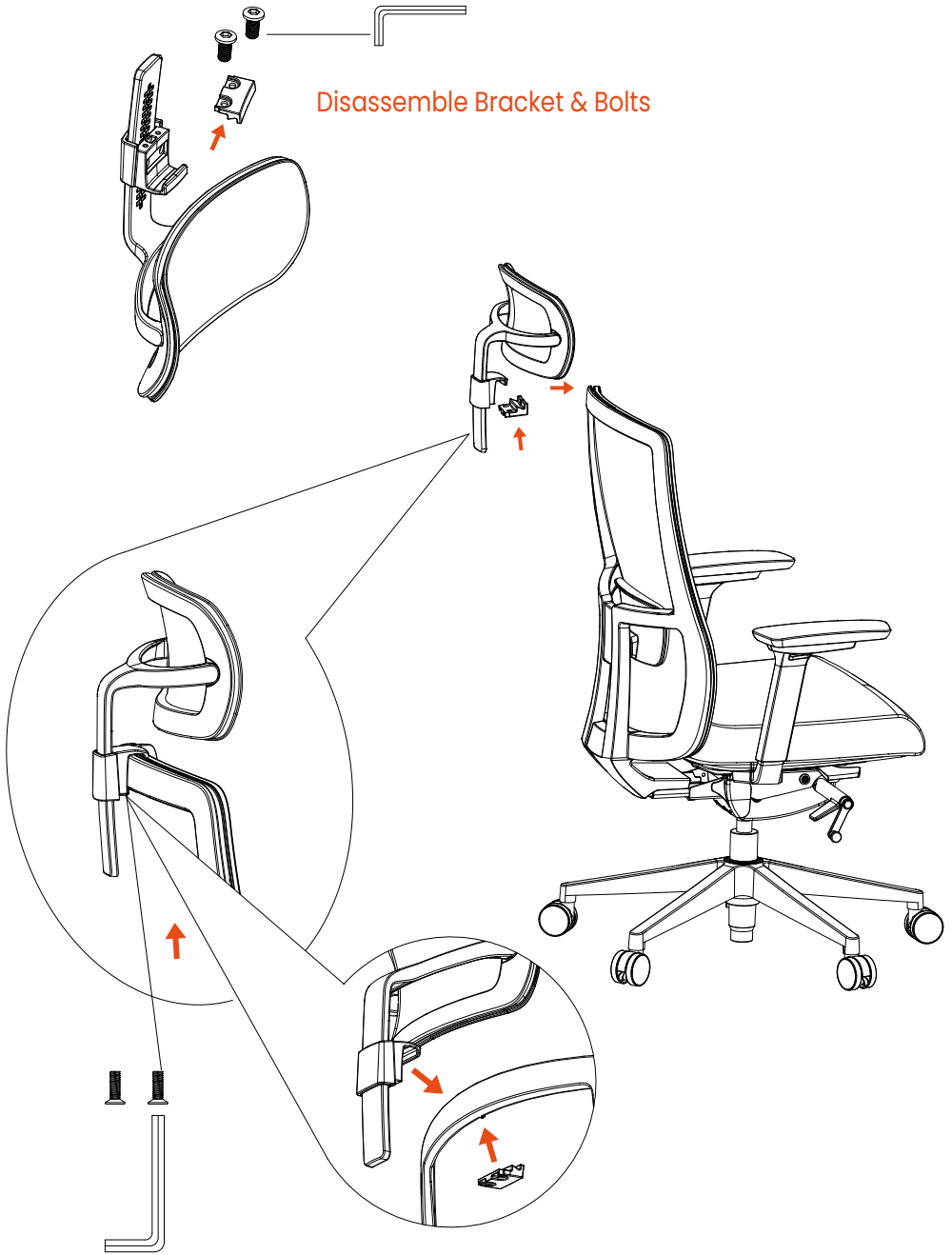
STEP 3





STEP 5

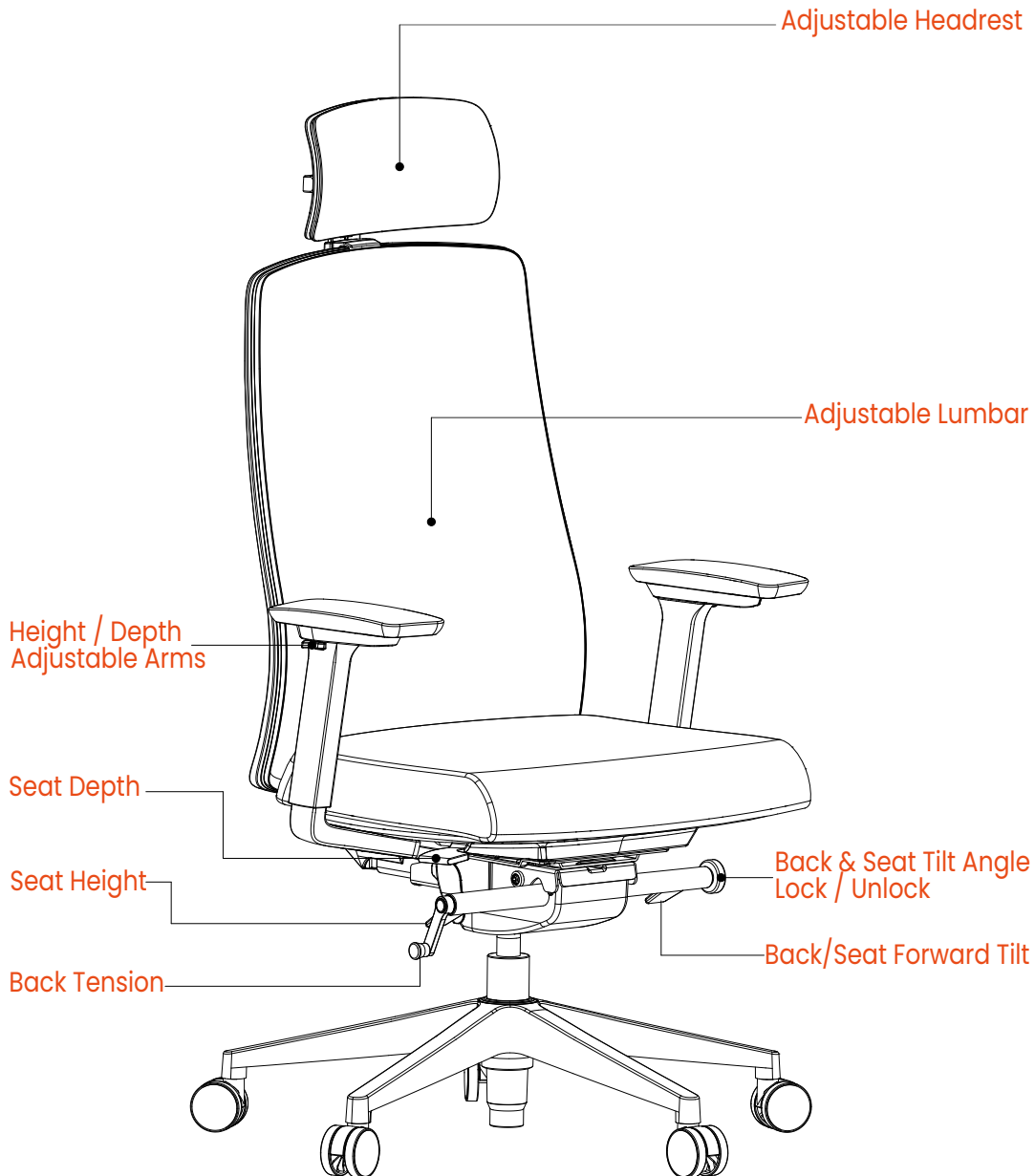
Disassemble Bracket & Bolts



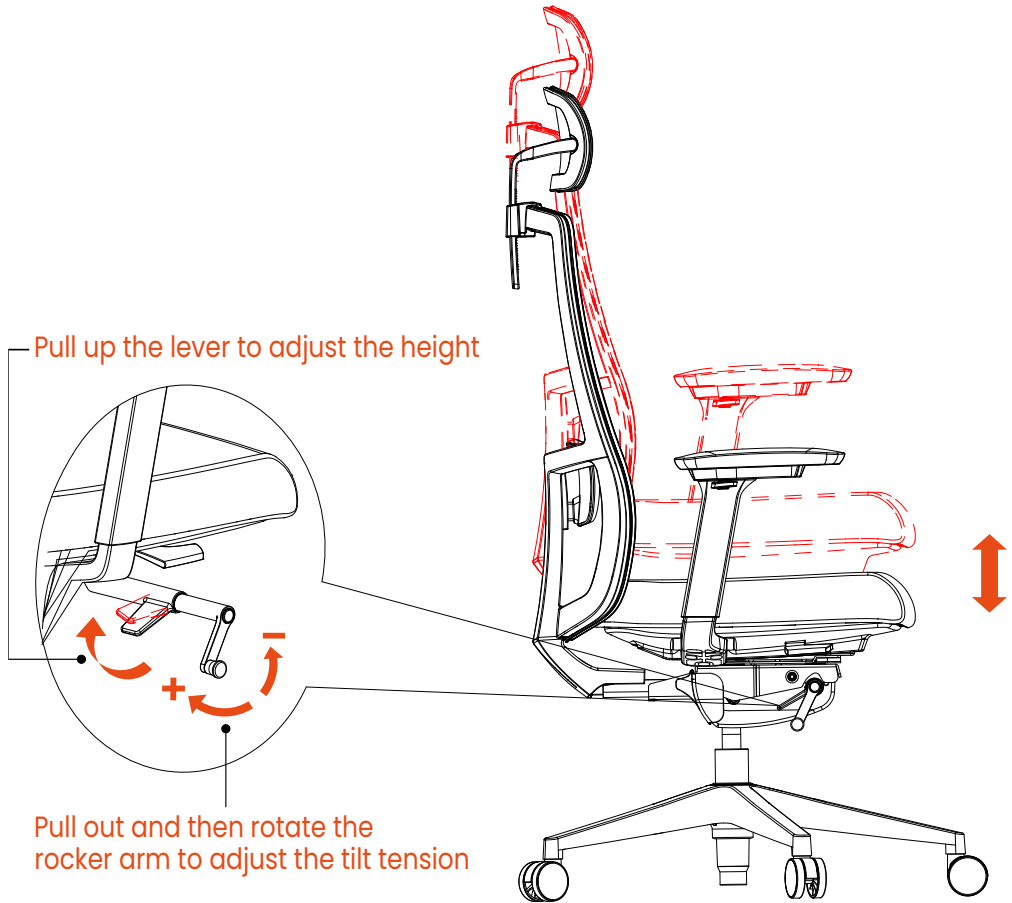
Ø 1/4" * 15mm

Line up the notch with the positioning rib then put on the headrest to the backrest

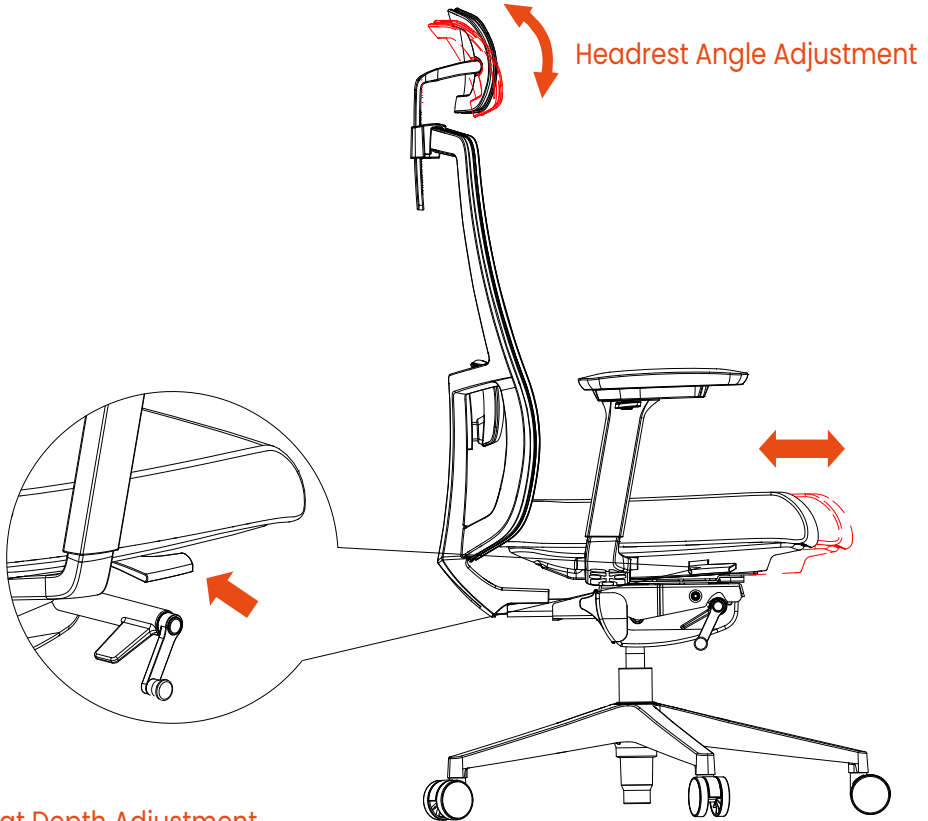
ADJUSTMENT FEATURES



Back Tension & Seat Height Adjustment



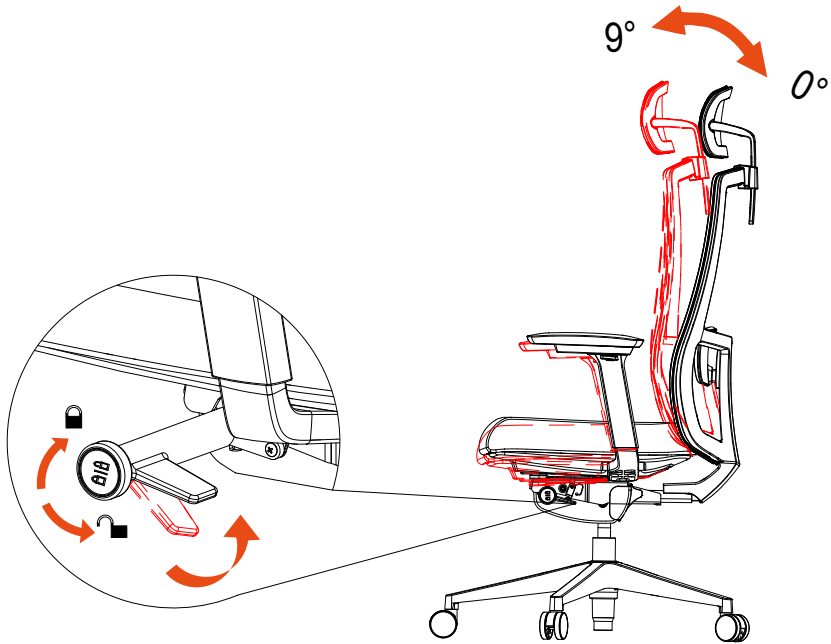
Headrest Angle & Seat Depth Adjustment





Seat Depth Adjustment

Facing the chair, pull the lever upward with the left hand, hold the right side of the cushion with the right hand, step on the base then pull the seat cushion forward to the proper position.

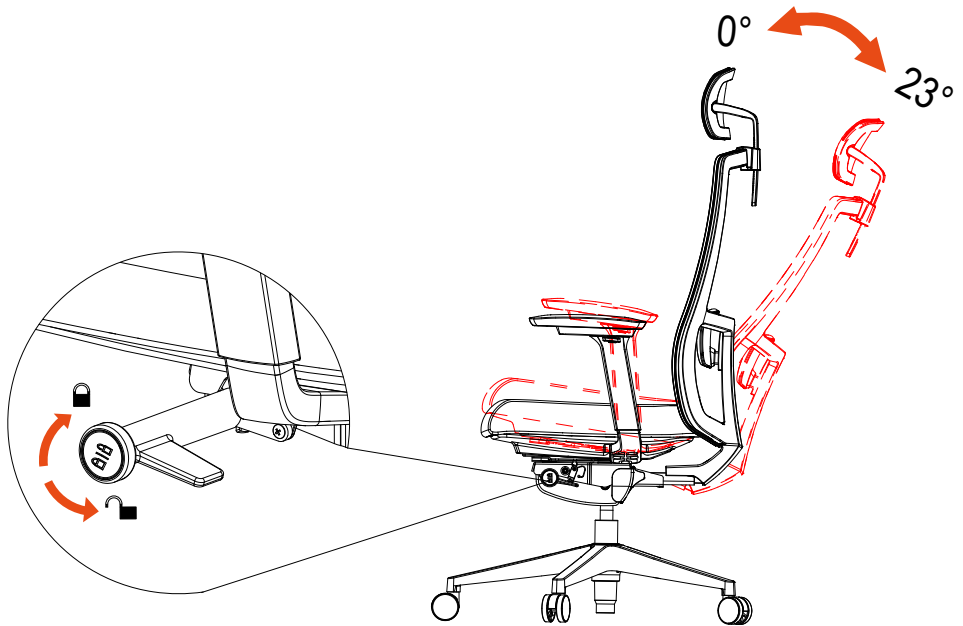
Back & Seat Forward Tilt Adjustment






Steps

1. The user sits on the chair.
2. Put the knob in the vertical  (unlock) position.
3. Rotate the lever upward and lean back the chair with force, the back & seat will be set to the forward tilt position.
4. Turn the lever downward and lean back the chair with force, the back & seat will be set to the normal use position.
5. When it is adjusted to a proper position, turn the knob to the horizontal  (lock) position to lock the tilt function.

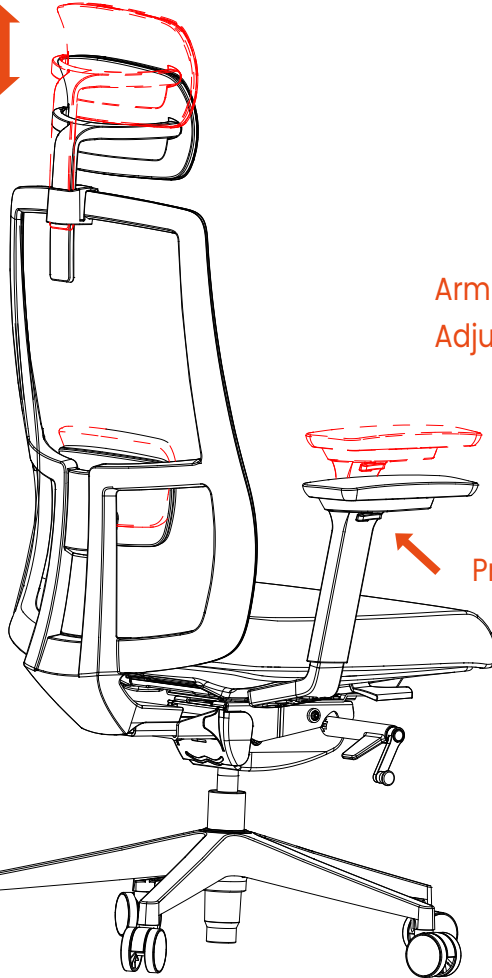
Back & Seat Backward Tilt Adjustment Lock/Unlock



Steps

1. The user sits on the chair.
2. Put the knob in the vertical  (unlock) position.
3. Lean the chair back at the desired angle, then turn the knob to the horizontal  (lock) position for locking the back angle.
4. Lean the chair back with force then turn the knob to the vertical  (unlock) position for re-setting the back angle.
5. With the forward tilt lever, there are 5 different tilt angle of the chair.

Headrest Height Adjustment



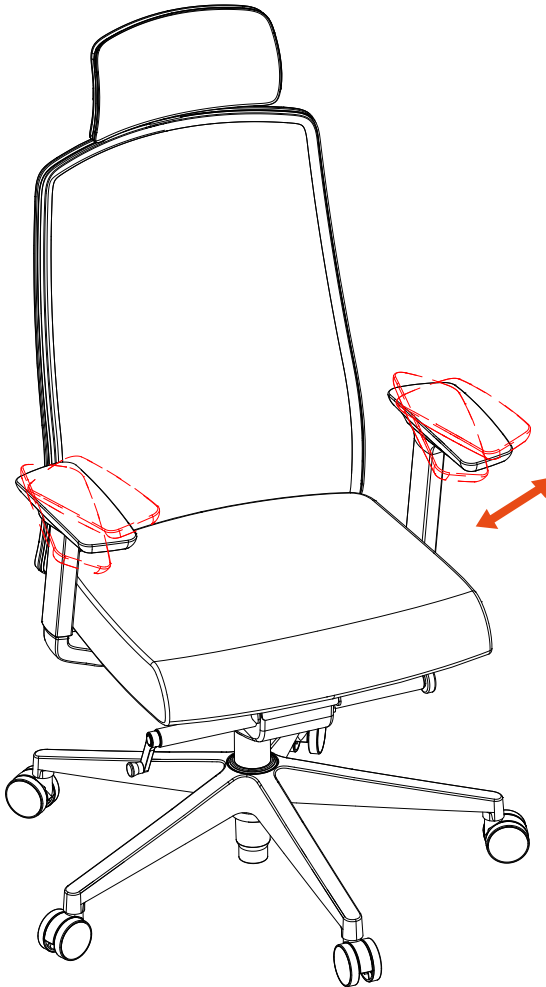
Armrest Height Adjustment

Lumbar Height Adjustment



Press Button

Arms inward & outward



Arms Depth adjustment
Width adjustment

