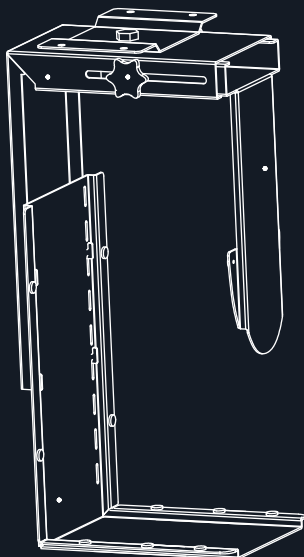


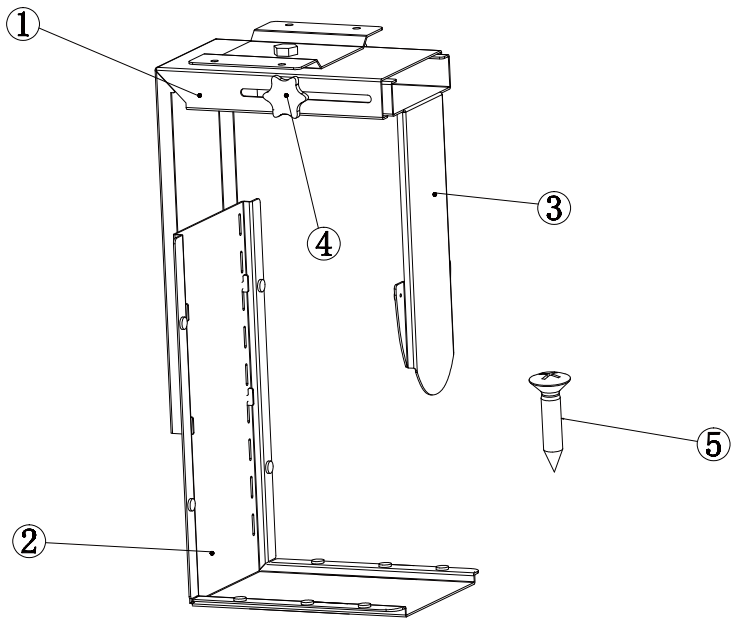


User's manual
Manuel d'utilisation
Gebruikershandleiding
Benutzerhandbuch
Manuale dell'utente
Manual de usuario
Руководство пользователя
Użytkownik Manual

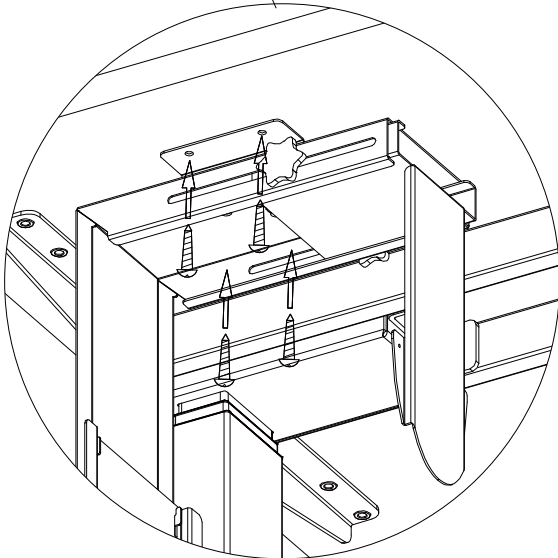
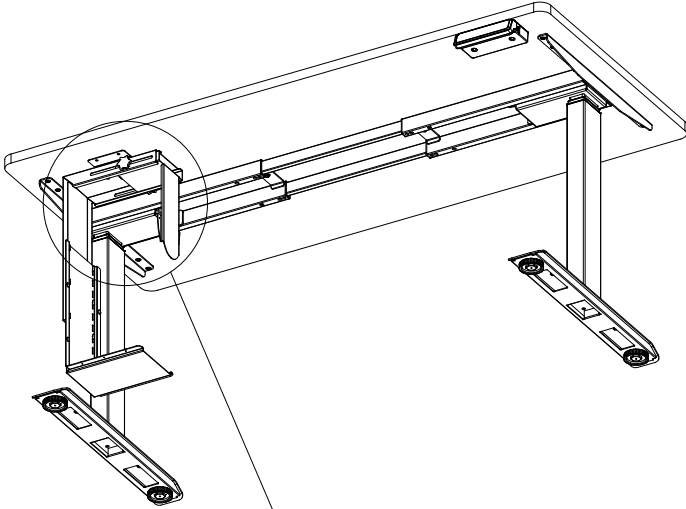


PARTS AND TOOLS LIST

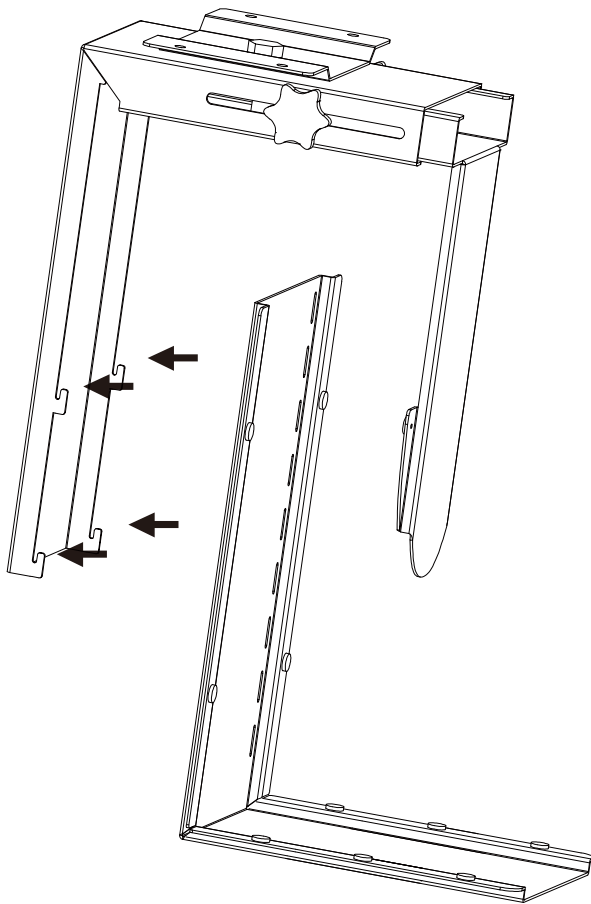
No.	Name	Qty
1	The Upper Part of the Holder for Computer Case	1
2	The Lower Part of the Holder for Computer Case	1
3	The Holder for Computer Case	1
4	Knob	2
5	The Self-tapping Screw	4



STEP 1



STEP 2



STEP 3

